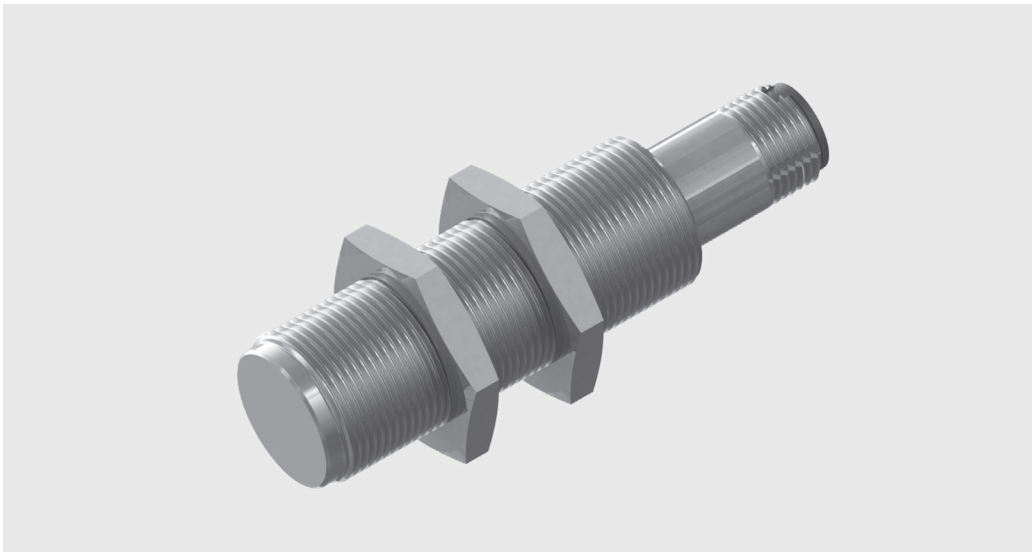

.....

Operating and Mounting Instructions



Speed Sensor 2-Channel Differential-Hall M18 Push-Pull series

1 Application

Sensor for the measurement of rotational speed and direction of ferromagnetic materials with detectable surface.

E.g. gears with modules 1.25 ... 2.0.

2 Technical data

Detailed technical data can be found on our homepage:
www.rheintacho.com

3 Scope of delivery

- Rotational speed sensor 2-Channel Differential-Hall M18 Push-Pull
- 2x fixing nuts

4 Mounting and safety precaution

- Do not mount electrical connection with an open current
 - Only install when machinery is out of operation
-

5 Mechanical attachment

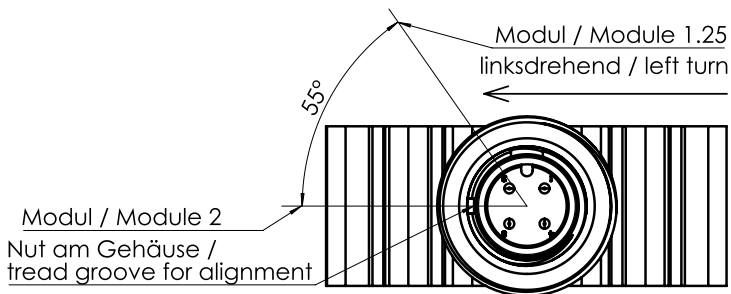
For correct alignment, please see the graphs and check datasheet at www.rheintacho.com

- Turn sensor without connector in the M18x1.0 DIN thread until the sensor head touches the gear
- Turn the sensor one half of a turn back
- Continue to turn the sensor back until the flat-mark is in the correct position
- Secure the sensor in this position by tightening the lock nut (max. 20 Nm)
- Place the connector and fix it by hand



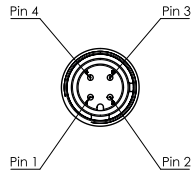
All work on the product must be made by qualified electrical personnel only!

Alignments:



6 Electrical connections

- Pin 1: VDC
- Pin 2: Frequency signal A
- Pin 3: Ground
- Pin 4: Frequency signal B



7 Maintenance

The sensor is maintenance free!

NOTE

Detailed technical data can be found on our homepage www.rheintacho.com or just scan the QR code:



Printed declarations of conformities on request

We reserve the right to make technical changes without prior notice. We have taken the utmost care to prevent errors. Liability in the event of any errors shall be excluded.